

W.C.J. 1.5 HRS

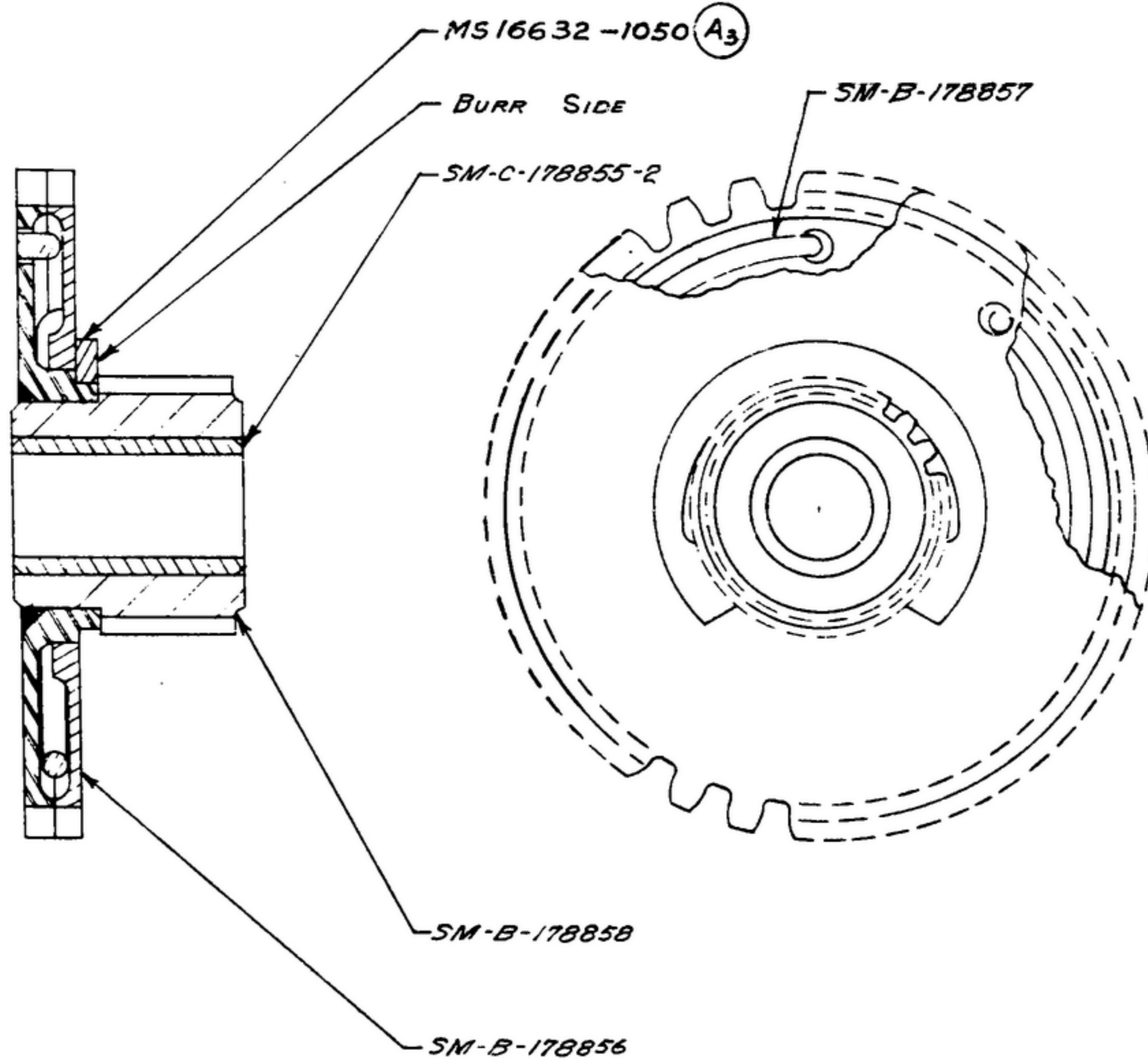
505-1860.DDR R-394

NOTICE: WHEN GOVERNMENT DRAWINGS, SPECIFICATIONS, OR OTHER DATA ARE USED FOR ANY PURPOSE OTHER THAN IN CONNECTION WITH A SPECIFICALLY RELATED GOVERNMENT PROCUREMENT OPERATION, THE UNITED STATES GOVERNMENT THEREBY INCURS NO RESPONSIBILITY FOR ANY DELAY, DAMAGE, OR LOSS OF DATA, OR THE FACT THAT THE GOVERNMENT MAY HAVE FORGOTTEN, FORGOTTEN, OR IN ANY WAY SUPPLIED THE SAID DRAWINGS, SPECIFICATIONS, OR OTHER DATA. IT IS NOT TO BE DEEMED BY IMPLICATION OR OTHERWISE AS BEING MADE OR ENDORSED BY THE GOVERNMENT OR ANY OTHER PERSON OR ORGANIZATION, OR CONFERRING ANY RIGHTS OR PERMISSION TO MANUFACTURE, USE, OR SELL ANY PATENTED INVENTION THAT MAY IN ANY WAY BE RELATED THERETO.

NOTE:

*FOR INFORMATION ONLY, CONTRACTOR MAY AT HIS OPTION DEVIATE FROM THESE PROCESS DETAILS

SWE APPROVAL		REVISIONS			
SYM	PR	SYM	DESCRIPTION	DATE	APPROVAL
SM	PR10042-5	A₁	A₁-REMOVED NOTE 1 (REF. TO WALDES KOH-1-NOOR INC.) & RENUMBERED THE NOTES, A₂-ADDED APPL. SM-C-178854, SM-C-343591, SC-DL-248775, A₃-WAS SM-C-178855-1, A₄-ADDED SWE PART NO. COLUMN.	9 OCT 59	42428-PC-59-A1-51
B ₁	CA 84590	B ₁	B ₁ -WAS -29A-266-3	10 DEC 59	42428-PC-59-A1-51 REV'D PME
C ₁	CA 84682	C ₁	C ₁ -WAS -SM-C-178851-2	23 FEB 60	42428-PC-59-A1-51 REV'D PME



NOTES:

1. SUPPLIED BY CHRYSLER CORPORATION, AMPLEX DIVISION, DETROIT 31, MICHIGAN, OR EQUAL.
2. PRESS SM-C-178855-2 INTO SM-B-178858 FLUSH AT ONE END. MACHINE OPPOSITE END TO AN OVERALL LENGTH OF .415 BURNISH BORE TO .1875 $^{+.0005}$ $_{-.0000}$

QTY	DESCRIPTION	RECD	PART NO.	MATL	MATL SPEC	Notes
1	SM-C-178855-2 BEARING, AA-225-4					
1	MS16632-1050 RING, RETAINING					
1	SM-B-178858 GEAR ASSY					
1	SM-B-178857 SPRING					
1	SM-B-178856 GEAR					

APPLICATION		UNLESS OTHERWISE SPECIFIED		AUTHENTICATION		SIGNAL CORPS ENGINEERING LABORATORIES FORT MONMOUTH NEW JERSEY
NEXT ASSY	USED ON	DIMENSIONS ARE IN INCHES	TOLERANCES ON FRACTIONS DECIMALS ANGLES	DRAWN 2/853-PH-50-93	TRACED PHOTO	
					CHECKED <i>PME</i>	SM-C-178855
SM-C-178854			$\pm .005$		VERIFIED <i>P.D.BR.</i>	
SM-C-343591	SC-DL-248775				APPROVED <i>P.D.BR.</i>	
SM-C-178854	SC-DL-178467				REVIEWED <i>PME</i>	
APPLICATION				DATE 4-AUG-53	SCALE 4/1	

WHEN REFERRING TO THIS DRAWING STATE DRAWING NO., APPLICABLE ISSUE SYMBOL, IF ANY, AND DATE